



FOX METER, INC

INSTRUMENTATION FOR INDUSTRY

F300 Series

High performance panel instruments
uP based electronics, easily modified
for those special applications that involve
communications, counting, timing, speed or display

Functional Choices

- **F310 - Universal remote display:** ASCII RS232, RS422, current loop or parallel BCD, menu selectable firmware drivers for many scales and intelligent sensors
- **F320 - Clock remote:** ASCII remote display with lighted colons for use with F390 master clock
- **F330 - Dual counter:** scaleable, < 2KHz pulsed or contact, non-contending dual count inputs
- **F340 - Universal counter:** scaleable, bi-directional, quadrature, < 50 KHz pulsed or contact
- **F350 - Rate meter / tachometer:** hour, minute, second and variable time base, fully scaleable rate
- **F360 - Frequency meter:** 1 Hz to 10 MHz, decade shift menu selectable, precision gated counter
- **F370 - Decade timers:** selectable time base from hours to .0001 seconds, 11 selectable modes
- **F380 - HH:MM:SS timer:** like the F370 there are 11 program selectable control modes
- **F390 - Master clock:** 12 or 24 hour, date modes, accurate time keeping to 2099!

General Specifications

Base Meter

- **Size** - fits 1/8 DIN cutouts
- **Display** - bright 6-digit high efficiency LED
- **Bezel** - black high impact ABS plastic, UL-VO94
- **Display window** - red non-glare cast acrylic
- **Sealing** - NEMA 4X gasketing standard
- **Controls** - setup menu is accessed via switches located on rear of meter
- **Connections** - socketed screw terminal connectors
- **Remote control inputs** - various functions available based on meter function

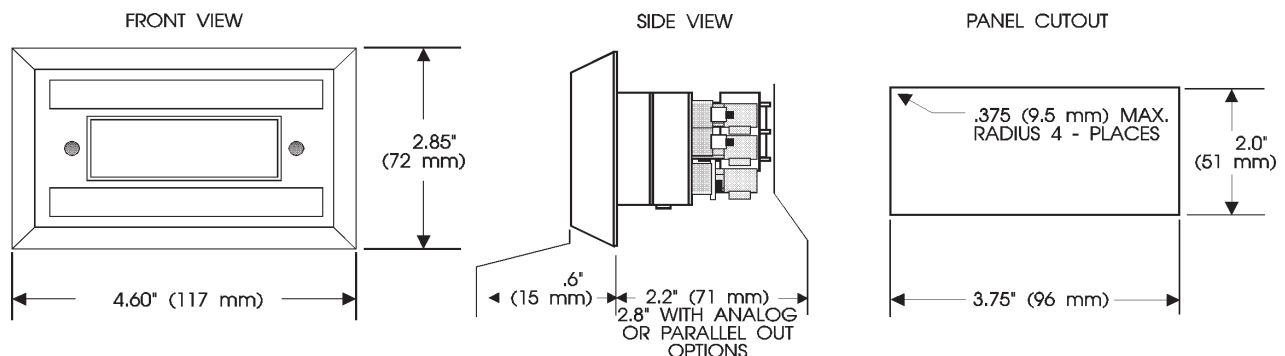
Outputs

- **Serial ASCII** - RS232, RS422/485, current loop
- **Parallel BCD** - 5 word / bit modes
- **Analog** - 4 To 20 mA, 1-5 V
- **Relay** - up To 4 setpoints, 200V @ 1A relay outputs require 1 F000-920 master setpoint module and up to 3 F000-924 slave setpoint modules

Power Supplies

- **120 VAC** - 50 / 60 Hz, 20 mA maximum
- **120 VAC** - with battery backed data
- **220 VAC** - 50 / 60 Hz, 10 mA maximum
- **5.1 to 14 VDC** - 100 mA maximum
- **10 to 30 VDC** - 50 mA maximum
- **10 To 30 VDC** - with battery backed data

F300 Series Mechanical Specifications



F300 Series

0.4" 6-Digit 1/8 DIN

(Display, Clock, Timer, Counter, Frequency)

Model numbers consist of a prefix letter, a family number, a function number, a power supply number, and a three digit I/O configuration number. Family number 3 indicates base meter, family number 4 indicates the addition of the setpoint interface.

BASE METER OPTIONS



F[31] - Universal remote display..... \$240	F[41] - Universal remote display..... \$295
F[32] - Clock remote..... \$240	F[42] - Clock remote..... \$295
F[33] - Dual counter..... \$305	F[43] - Dual counter..... \$325
F[34] - Universal counter..... \$305	F[44] - Universal counter..... \$325
F[35] - Rate meter / tachometer..... \$310	F[45] - Rate meter / tachometer..... \$330
F[36] - Frequency meter..... \$310	F[46] - Frequency meter..... \$330
F[37] - Decade timers..... \$275	F[47] - Decade timers..... \$330
F[38] - HH:MM:SS timer..... \$275	F[48] - HH:MM:SS timer..... \$330
F[39] - Master clock..... \$260	F[49] - Master clock..... \$315

POWER SUPPLY OPTIONS



[1] - 120 VAC 50 / 60 Hz..... \$20	[8] - 120 VAC with battery backed data..... \$62
[3] - 240 VAC 50 / 60 Hz..... \$30	[9] - 10 to 30 VDC with battery backed data.... \$72
[5] - 5.1 VDC to 14 VDC..... \$10	
[6] - 5.1 VDC to 14 VDC w/battery back data.... \$42	
[7] - 10 VDC to 30 VDC..... \$30	

INPUT / OUTPUT OPTIONS



[651] - RS232C serial ASCII data..... \$29
[652] - RS422 serial ASCII data..... \$20
[655] - Isolated current loop ASCII data..... \$60
[657] - RS232C and RS232C auxillary..... \$149
[658] - RS232C and RS422 auxillary..... \$140
[659] - No data inputs / no outputs..... \$0
[661] - RS232C and 4 to 20 mA analog out..... \$194
[662] - RS422 and 4 to 20 mA analog out..... \$185
[665] - C/L and 4 to 20 mA analog out..... \$225
[671] - RS232C and parallel data out..... \$116
[672] - RS422 and parallel data out..... \$107
[675] - C/L and parallel data out..... \$147
[681] - RS232C and parallel data in..... \$116
[682] - RS422 and parallel data in..... \$107
[685] - C/L and parallel data in..... \$147
[691] - Isolated 4 to 20 mA output..... \$165
[692] - Parallel data outputs sinking..... \$87
[693] - Parallel data inputs sinking..... \$87
[694] - Parallel data outputs sourcing..... \$87
[695] - Parallel data inputs sourcing..... \$87