

FB300 Series

High performance panel instruments
 uP based electronics, easily modified
 for those special applications that involve
 communications, counting, timing, speed or display

Functional Choices

- **FB310 - Universal remote display:** ASCII RS232, RS422, current loop or parallel BCD, menu selectable firmware drivers for many scales and intelligent sensors
- **FB320 - Clock remote:** ASCII remote display with lighted colons for use with F390 master clock
- **FB330 - Dual counter:** scaleable, < 2KHz pulsed or contact, non-contending dual count inputs
- **FB340 - Universal counter:** scaleable, bi-directional, quadrature, < 50 KHz pulsed or contact
- **FB350 - Rate meter / tachometer:** hour, minute, second and variable time base, fully scaleable rate
- **FB360 - Frequency meter:** 1 Hz to 10 MHz, decade shift menu selectable, precision gated counter
- **FB370 - Decade timers:** selectable time base from hours to .0001 seconds, 11 selectable modes
- **FB380 - HH:MM or MM:SS timer:** like the F370 there are 11 program selectable control modes
- **FB390 - Master clock:** 12 or 24 hour, date modes, accurate time keeping to 2099!

General Specifications

Base Meter

- **Display** - 4-digit, 3" tall tri-color LED
- **Bezel** - stainless steel
- **Display window** - non-glare glass with silicone seal
- **Sealing** - NEMA 4X gasketing standard
- **Controls** - setup menu is accessed via switches located on rear of meter
- **Connections** - socketed screw terminal connectors
- **Remote control inputs** - various functions available based on meter function
- **Viewing distance** - up to 150 feet
- **Operating temperature** - -55°C to +85°C

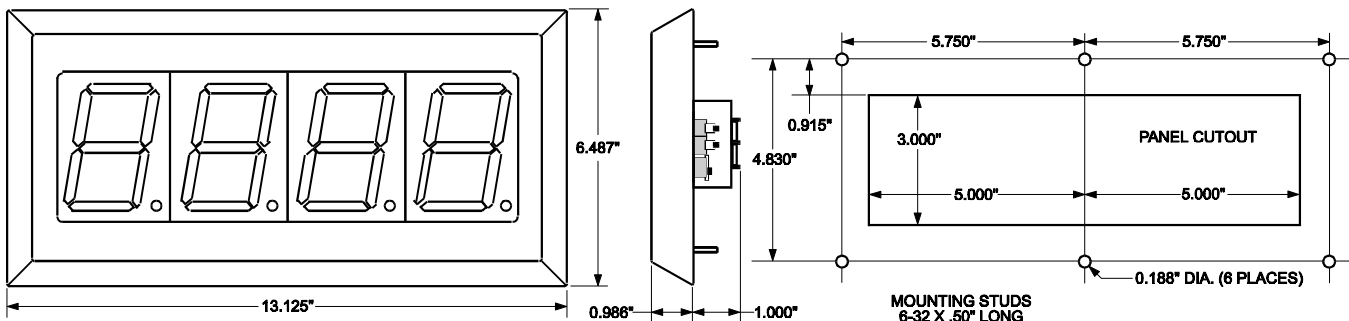
Outputs

- **Serial ASCII** - RS232, RS422/485, current loop
- **Parallel BCD** - 5 word / bit modes
- **Analog** - 4 To 20 mA, 1-5 V
- **Relay** - up to 4 setpoints, 200V @ 1A relay outputs require 1 F000-920 master setpoint module and up to 3 F000-924 slave setpoint modules

Power supplies

- **120 VAC** - 50 / 60 Hz, 20 mA maximum
- **120 VAC** - with battery backed data
- **220 VAC** - 50 / 60 Hz, 10 mA maximum

FB300 Series Mechanical Specifications



FB300 Series

3" 4-Digit Tri-Color

(Display, Clock, Timer, Counter, Frequency)

Model numbers consist of two prefix letters, a family number, a function number, a power supply number, and a three digit I/O configuration number. Family number 3 indicates base meter, family number 4 indicates the addition of the setpoint interface.

BASE METER OPTIONS F B -

FB[31] - Universal remote display.....	\$749	FB[41] - Universal remote display.....	\$810
FB[32] - Clock remote.....	\$777	FB[42] - Clock remote.....	\$837
FB[33] - Dual counter.....	\$821	FB[43] - Dual counter.....	\$859
FB[34] - Universal counter.....	\$821	FB[44] - Universal counter.....	\$859
FB[35] - Rate meter / tachometer.....	\$826	FB[45] - Rate meter / tachometer.....	\$865
FB[36] - Frequency meter.....	\$826	FB[46] - Frequency meter.....	\$865
FB[37] - Decade timers.....	\$788	FB[47] - Decade timers.....	\$848
FB[38] - HH:MM or MM:SS timer.....	\$788	FB[48] - HH:MM or MM:SS timer.....	\$848
FB[39] - Master clock.....	\$799	FB[49] - Master clock.....	\$859

POWER SUPPLY OPTIONS -

[1] - 120 VAC 50 / 60 Hz.....	\$0
[3] - 240 VAC 50 / 60 Hz.....	\$30
[8] - 120 VAC with battery backed data.....	\$50

INPUT / OUTPUT OPTIONS -

[651] - RS232C serial ASCII data.....	\$35
[652] - RS422 serial ASCII data.....	\$24
[653] - RS485 4-wire serial ASCII data.....	\$48
[655] - Isolated current loop ASCII data.....	\$72
[657] - RS232C and RS232C auxillary.....	\$179
[658] - RS232C and RS422 auxillary.....	\$168
[659] - No data inputs / no outputs.....	\$0
[661] - RS232C and 4 to 20 mA analog out.....	\$233
[662] - RS422 and 4 to 20 mA analog out.....	\$222
[665] - C/L and 4 to 20 mA analog out.....	\$270
[671] - RS232C and parallel data out.....	\$139
[672] - RS422 and parallel data out.....	\$128
[675] - C/L and parallel data out.....	\$176
[681] - RS232C and parallel data in.....	\$139
[682] - RS422 and parallel data in.....	\$128
[685] - C/L and parallel data in.....	\$176
[691] - Isolated 4 to 20 mA output.....	\$198
[692] - Parallel data outputs sinking.....	\$104
[693] - Parallel data inputs sinking.....	\$104
[694] - Parallel data outputs sourcing.....	\$104
[695] - Parallel data inputs sourcing.....	\$104